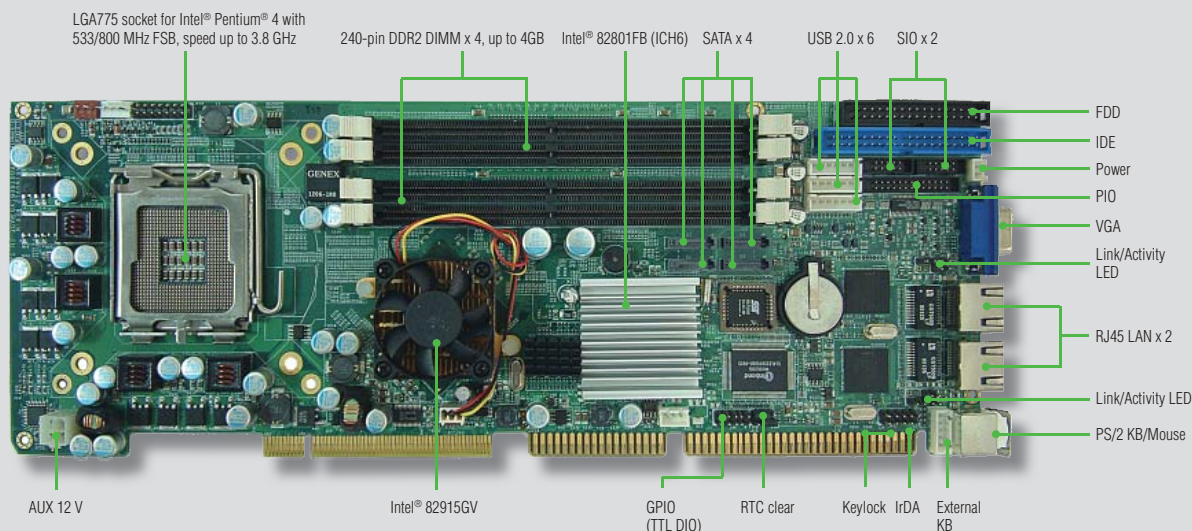


# PEAK 760VL2

Intel® LGA775 Pentium® 4/Celeron® D with  
PCI Express and 2 x Gigabit LAN



## Main Features

- Single Socket LGA775, Supports Intel® Pentium® 4 with 533/800 MHz FSB up to 3.8 GHz
- 4 x DDR2 240-pin DIMM, Supports Dual Channel DDR2 400/533 MHz up to 4GB
- 2 x Intel® 82573L PCI Express Gigabit Ethernet LAN
- 4 x SATA, 6 x USB 2.0, 2 x COM port
- RoHS Compliant

## Product Overview

NEXCOM is proud to announce that the enhanced PEAK 760VL2 SBC is now capable to support the Intel® Pentium® 4/Celeron® D (Cedar Mill/Prescott) processor with 533/800 MHz FSB up to 3.6 GHz. The Intel® Pentium® 4 Cedar Mill processor is built-in with Intel's leading 65-nanometer silicon process technology and consumes only 95 watts of TDP; therefore, the PEAK 760VL2 is able to implement the industrial computing platform effectively and efficiently.

The design-in platform, PEAK 760VL2 SBC also follows the PICMG 1.0 standard and features the Intel® 915GV and ICH6 chipset, which integrated with two PCI Express Gigabit LAN, built-in four SATA, and six USB 2.0 ports. In addition, NEXCOM's backplanes are compatible to the PEAK 760VL2 SBC, which makes the industrial grade PEAK 760VL2 SBC an ideal solution for advanced mainframe, high-end industrial based controller, storage equipment, and commercial printer applications.

## Specifications

### CPU Support

- Single socket LGA775
- Supports Intel® Pentium 4 with 533/800 MHz FSB for speeds up to 3.8 GHz
- Supports Hyper-Threading Technology

### Main Memory

- 4 x 240-pin DIMM sockets, up to 4GB Dual channel non-ECC DDR2 400/533 MHz  
*Note: Maximum 4GB. Actual memory size is dynamic based on the OS I/O resource allocation*

### Chipset

- Intel® 915GV +ICH6 chipset

### BIOS

- Award System BIOS

### Plug & Play Support

- Advanced Power Management and Advanced Configuration & Power Interface support

### On-board LAN

- 2 x Intel® 82573L PCI Express Gigabit Ethernet LAN
- 2-pin header for extended LAN LED
- Supports Boot From LAN (PXE)
- Supports Wake On LAN (When 5Vsb power available)

### Display

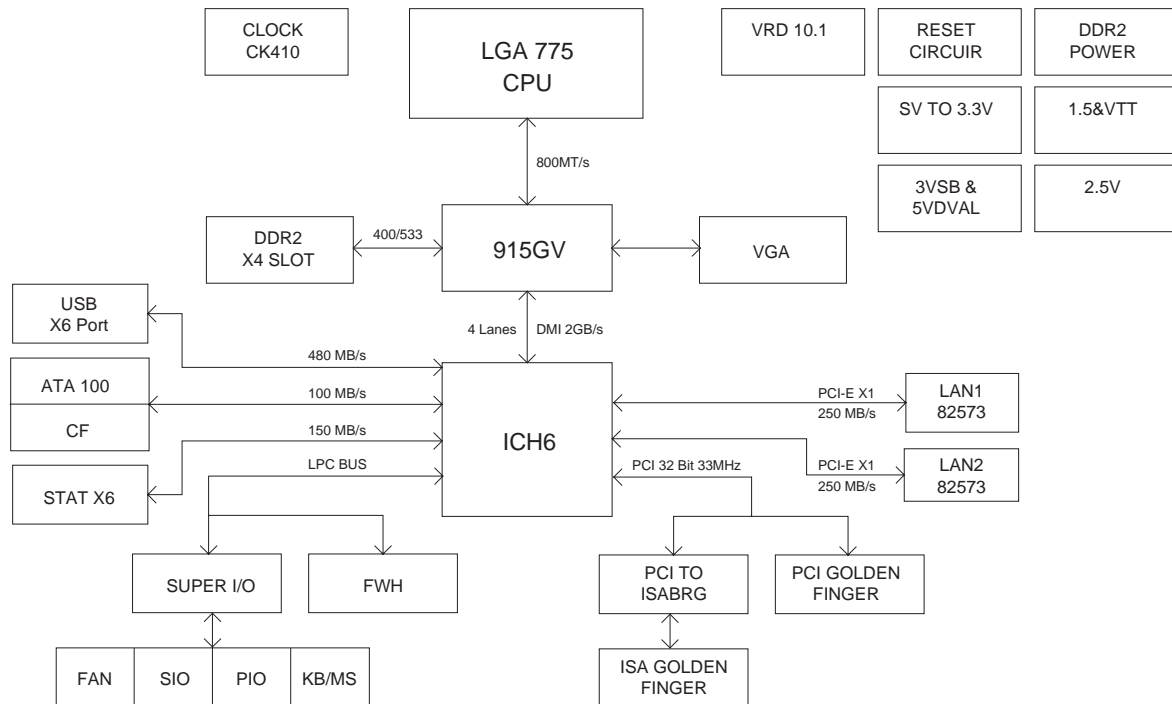
- Chipset w/ built-in integrated graphics device
- Analog display supports up to 2048 x 1536 @ 85 Hz CRT

### I/O Interface

- USB 2.0: 6 x USB 2.0, with 1x6 JST
- Serial port: 2 ports, with 2x5 box header, supports RS232 only
- Parallel port: 1 port, with 2x13 box-header
- PS2: 1 x Mini-DIN Keyboard/Mouse  
1 x 5-pin connector for external KB/Mouse
- IDE: 1 x 40-pin connector, support ultra ATA 100/66/33
- SATA: 4 ports
- Floppy: 1 x 34-pin connector
- Digital I/O Port: 4 in, 4 out with TTL level interface
- 1 x on-board buzzer/1 x 4-pin for speaker/1 x 2-pin power-on button switch/  
1 x 2-pin header for SMBus 2.0
- 1 x 4-pin fan JST (for CPU); 2 x 3-pin fan JST (for System)
- 1 x 5-pin connector for chassis or backplane front keyboard
- I/O on bracket  
1 x VGA DB-15 connector  
2 x RJ45 GbE port  
1 x Mini-DIN for Keyboard/Mouse



## Block Diagram



### Watchdog Timer

- 1-minute increments from 1 to 255 minutes
- 1-second increments from 1 to 255 seconds

### On-board RTC

- On-chip RTC with battery backup
- 1 x External Li Battery

### Disk On Module

- Disk On Module: 1 x 2-pin power connector for DOM

### ISA Support

- Through PCI to ISA Interface
- No ISA Master Device Support./No Support for ISA DMA
- Maximum of 3 ISA slots supported

### System Monitor

- System monitor controller from Super I/O
- 8 voltage (For +1.5 V, +3.3 V, +5 V, -5 V, +12 V, Vcore and +5 Vsb)
- 2 temperature (For CPU and system)
- 3 fan speed monitors (one for CPU and 2 for systems)

### Power Input

- Power source from backplane through PCI/ISA Golden Finger
- Supports both AT or ATX Power Supplies (Automatically)
- +3.3 V is converted from +5 V and not directly from backplane or power supply
- +5 Vsb (Standby power) is connected from backplane via a 3-pin connector
- 4-pin +12 V Power Input Connector

### Power Requirements

- 5 V: 20 A
- 12 V: 15 A
- 5 Vsb: 1.5 A

### Dimensions

- 338.58mm (L) x 122mm (W) (13.3" x 4.8")

### Environment

- Board level operating temperature: 0°C to 60°C
- Storage temperature: -20°C to 80°C
- Relative humidity: 10% to 90% (Non-condensing)

### Certifications

- CE approval
- FCC Class A

## Ordering Information

### • PEAK 760VL(LF) (P/N: 10P0760VL00X0)

PICMG Full-Size SBC, Intel® 915GV Chipset, LGA775 P4 CPU (Prescott) up to 3.8 GHz, 533/800 MHz FSB, 32-bit/33 MHz PCI, Max. 4GB DDR2 400 DIMM, VGA integrated  
Intel® 82573L PCI Express Gigabit Ethernet x 1, Serial ATA Ports x 4, Max 3 ISA Slots (Non-ISA Master & Non-ISA DMA) support through backplane.

### • PEAK 760VL2(LF) (P/N: 1P0760VL01X0)

PICMG Full-Size SBC, Intel® 915GV Chipset, LGA775 P4 CPU (Prescott) up to 3.8 GHz, 533/800 MHz FSB, 32-bit/33 MHz PCI, Max. 4GB DDR2 400 DIMM, VGA integrated  
Intel® 82573L PCI Express Gigabit Ethernet x 2, Serial ATA Ports x 4, Max 3 ISA slots (Non-ISA Master & Non-ISA DMA) supported through backplane.